

Just start building!

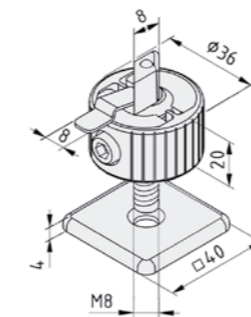
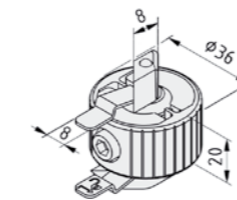
The CLICK-Fastening Set is ideal for everything that needs to be adapted, adjusted or changed frequently:

- Test equipment
 - Structures for lighting and camera equipment
 - Adjustable fixtures for holding workpieces
 - Auxiliary structures in production
- And much more besides!



Click-Fastening Set 8

item Innovation
German
utility model
20 2004 019 675



Click-Fastening Set 8 provides a power-lock connection between two Profiles 8 that cross at any angle or run in parallel. The rotatable fastener engages in the profile grooves on both sides so that the unit can be moved along both grooves and can be rotated to suit any angle between the profiles.

Click-Fastening Set 8 is available in two versions: as a connection between the groove sides of two Profiles 8 (spaced 20 mm apart) or as a 90° variant for connecting the end face of a Profile 8 40x40 at any angle of rotation to a profile groove at an angle of 90°.

To use Click-Fastening Set 8 90°, the core bore of the Profile 8 connected via the end face must have an M8x20 drill hole. In this case, the distance between the end face of the profile and the side of the second profile is 24 mm.

Click-Fastening Set 8

Clamping profile Al, natural
Clamping elements, St, stainless
Locking strips, St, stainless
Hex. Socket Head Cap Screw M6x25, St, bright zinc-plated
m = 105 g

1 set 0.0.489.79

Click-Fastening Set 8 90°

Clamping profile Al, natural
Clamping elements, St, stainless
Locking strip, St, stainless
Hex. Socket Head Cap Screw M6x25, St, bright zinc-plated
Tensioning screw M8, St, bright zinc-plated
Cap 8 40x40, GD-Zn, white aluminium
m = 125 g

1 set 0.0.606.94

Your distribution and service partner

item Industrietechnik GmbH
Friedenstraße 107-109
42699 Solingen
Germany

Phone +49/212/65 80 300
Fax +49/212/65 80 310

info@item.info
www.item.info

Technical modifications and errors reserved.
All rights reserved. Use of texts and illustrations or reprints of any kind only permitted with our prior written consent. This applies in particular to reproduction, translation or use in electronic systems.

item is a registered trademark of
item Industrietechnik GmbH.
© item Industrietechnik GmbH 2007



Have you gone CLICK yet?

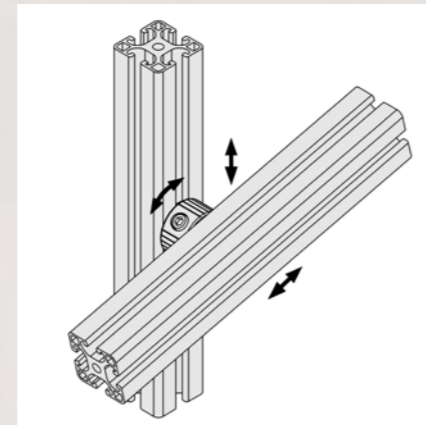
The new profile fastener from item - the
CLICK-Fastening Set - is child's play.

Child`s play - no planning, no machining.

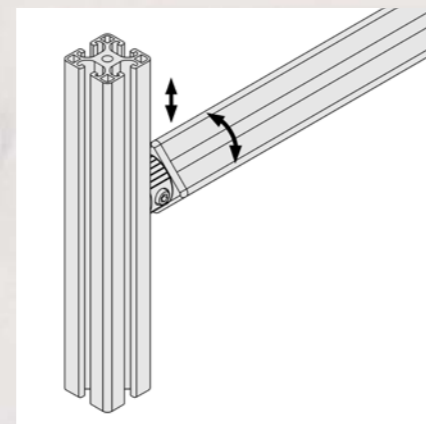
The item MB Building Kit System opens up a whole new dimension in flexibility. Profiles can be connected to other profiles at any position and at virtually any angle without machining.

Profile sections are attached to existing constructions and are employed as re-usable, variable struts. Thanks to the CLICK-Fastening Set, profiles no longer need to be cut off with absolute accuracy!

The CLICK-Fastening Set is particularly attractive for temporary structures - modifications can be made quickly and easily!



Click-Fastening Set 8



Click-Fastening Set 8 90°



The particular advantage of the CLICK-Fastening Set lies in its speed of use. The fastener is simply placed on the profile grooves and locked with a ¼ turn. It is then secured in position by tightening a tensioning screw located on the side. The result - maximum flexibility combined with complete ease of operation.

The CLICK-Fastening Set is the perfect choice whenever MB Building Kit System users need to assemble a flexible frame quickly and easily!

CLICK – and you`re ready to go!

Mount the CLICK-Fastening Set onto the profile groove and lock in position (CLICK!).



Connect the CLICK-Fastening Set with the second profile.



Align the CLICK-Fastening Set and tighten the tensioning screw.



Dismantling: Loosen the tensioning screw, lift the locking strip out of the profile groove and swivel it back. The CLICK-Fastening Set does not need to be taken apart and is immediately ready for use again.



Fast. Universal. Flexible. Re-usable.